

# SRP-380

## 3 inch POS printer



Retail



Hospitality



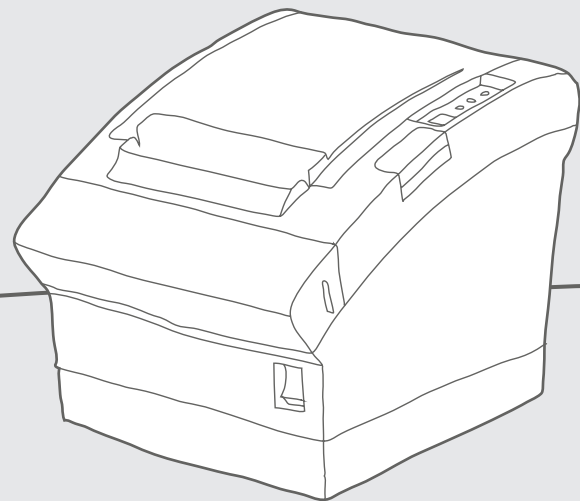
Ticketing



Kiosk

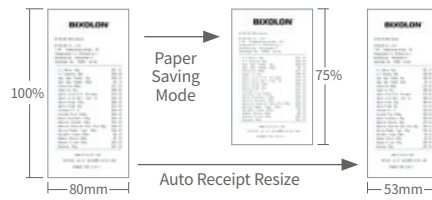
# Ultra Reliable

## Long-term limited warranty



350

mm/sec

TPH  
250K

Easy Tracking™



### Ensuring Business Continuity

- Long-term limited warranty
- High reliability of 250km TPH with its auto cutter guaranteed up to 3 million cuts
- Fast speed printing up to 350 mm/sec, 17% faster than other comparable models
- USB V2.0 + Serial, Ethernet, Powered USB, Bluetooth or WLAN

### Cost-efficiency

- Various software and firmware settings for paper saving functions
- Paper saving mode, reducing the length of a receipt up to 25%
- Auto receipt resize, 80 - 58mm auto paper reduction function
- Anywhere Anyfont™ (Unicode) removes the need to write multiple code pages for every language
- Compatible with all major operating systems including Android™, iOS™ and Windows® (Apple® MFi certified model)

### Low Maintenance

- Life time indicator enables to check TPH and Auto cutter's life with self-test printing via statistic data
- Easy Tracking™ supports a QR code linking to the technical support micro site on a unique label plate found on the bottom of the printer.

**BIXOLON**®  
a Better Solution for your Business™

# SRP-380

## 3 inch POS printer

### Specifications

#### Print Characteristics

**Print Method**

Direct Thermal

**Print Speed**

Up to 350 mm/sec

**Print Resolution**

SRP-380: 180 dpi

SRP-382: 203 dpi

**Print Width**

Up to 72 mm

**Sensor**

Paper End, Paper Near End, Cover Open

#### Media Characteristics

**Media Type**

Receipt

**Media Width**

80 mm

58 mm (with 2 inch Partition)

**Media Roll Diameter**

Up to 83 mm

**Media Thickness**

0.062 ~ 0.075 mm

**Supply Method**

Easy Paper Loading

#### Physical Characteristics

**Dimensions (WxLxD)**

147 x 200 x 148 mm

(5.79 x 7.87 x 5.82 inch)

**Weight**

1.56 kg (3.43 lbs)

**Power**

EnergyStar Certified,

External Power Adaptor 100-240V AV, 50/60Hz

**Drawer Port**

2 ports (via y-type adaptor)

#### Performance Characteristics

**Memory**

128 Mbit SDRAM, 64 Mbit FlashROM

**NV Image Memory**

768 Kbytes (mono)

**Receive Buffer**

4 Kbytes

**User Define Buffer**

12 Kbytes

**Interface**

Standard: USB V2.0 FS

Optional: USB V2.0 FS + Ethernet / Serial /

Dual Serial / WLAN\* /

Bluetooth V4.2 Classic / LE)\*\* /

Powered USB

\* WLAN: 802.11a/b/g/n(2.4G+5G)

\*\*Bluetooth: Class 1, MFi certified

#### Environment Characteristics

**Temperature**

Operating: 0 ~ 40°C (32 ~ 104°F)

Storage: -20 ~ 60°C (-4 ~ 140°F)

**Humidity**

Operating: 10 ~ 80% RH

Storage: 10 ~ 90% RH

#### Reliability

**Thermal Print Head (TPH)**

250 km \*\*\*

**Auto Cutter**

3 Million Cuts \*\*\*

**\*\*\* Specified Paper**

- TF50KS-E (Paper thickness: 65µm)

: Nippon Paper industries Co., Ltd.

- PD 150R (Paper thickness: 75µm)

: New Oji Paper Mfg, Co., Ltd

- PD 160R (Paper thickness: 75µm)

: New Oji Paper Mfg, Co., Ltd.

- P350 (Paper thickness: 62µm)

: Kansaki Specialty Paper, Inc. (USA)

#### Software

**Emulation**

BXL / POS

**Driver / Utility**

Windows Driver, OPOS Driver, JPOS Driver,

Linux / Mac CUPS Driver,

Virtual COM USB/Ethernet Driver, Utility Program

**SDK**

iOS SDK, Android SDK, Windows SDK ,

Windows Runtime SDK

#### Fonts / Graphics / Symbologies

**Character Size**

Font A: 12 x 24 Font B: 9 x 17 Font C: 9 x 24

KOR, CHN, JPN: 24 x 24

**Characters Per Line**

SRP-380: Font A: 42 Font B, C: 56

KOR, CHN, JPN: 21

SRP-382: Font A: 48 Font B, C: 64

KOR, CHN, JPN: 24

**Character Sets**

Alphanumeric: 95

Extended Graphics: 128 x 35 page

International: 32

Unicode : UTF-8, UTF-16, UTF-32

**Graphics**

Supporting user-defined fonts, graphics,

formats, and logos

**Barcode Symbologies**

1D: Coda Bar, Code 39, Code 93, Code 128,

EAN-8, EAN-13, ITF, UPC-A, UPC-E

2D: Data Matrix, GS1-128, GS1 DataBar Stacked /

Omnidirectional / Truncated / Limited /

Expanded, PDF417, QR code



BR-SRP-380-EN-MAY17-V1-NF

Copyright © BIXOLON Co., Ltd. All rights reserved. Features and specifications are subject to change without prior notice.

**BIXOLON®**

**BIXOLON Co.,Ltd.**  
+82 (0) 31 218 5500  
sales@bixolon.com

**BIXOLON America Inc.**  
+1 858 764 4580  
sales@bixolonusa.com

**BIXOLON Europe GmbH**  
+49 211 68 78 54 0  
sales@bixolon.de

www.Bixolon.com

